

DRAWN	Luuk van den Heuvel	DATE	2-2-2020	
REVISION	Bas Vlamings	DATE	5-4-2024	

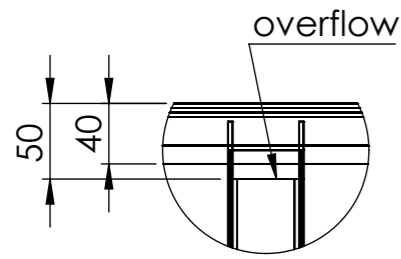
TITLE:	3mm Corten	
--------	------------	--

**ADEZZ**  
DESIGN TO GROW

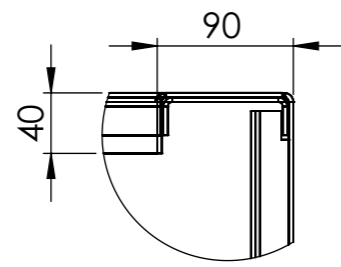
Liessentstraat 4, 5405 AG Uden (NL).  
 † 0031 (0)413 - 27 41 68.  
 e info@adezz.com, i www.adezz.com

Drawing:	VC2.1__	A3
----------	---------	----

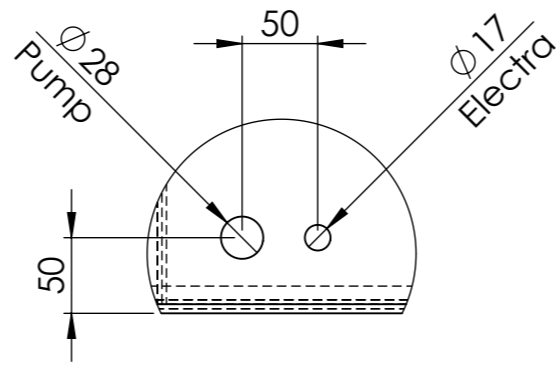
Color:	-	Mass (kg):	317,25	SCALE:1:30	SHEET 1 OF 17
--------	---	------------	--------	------------	---------------



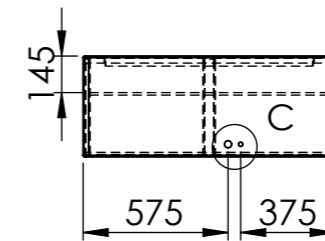
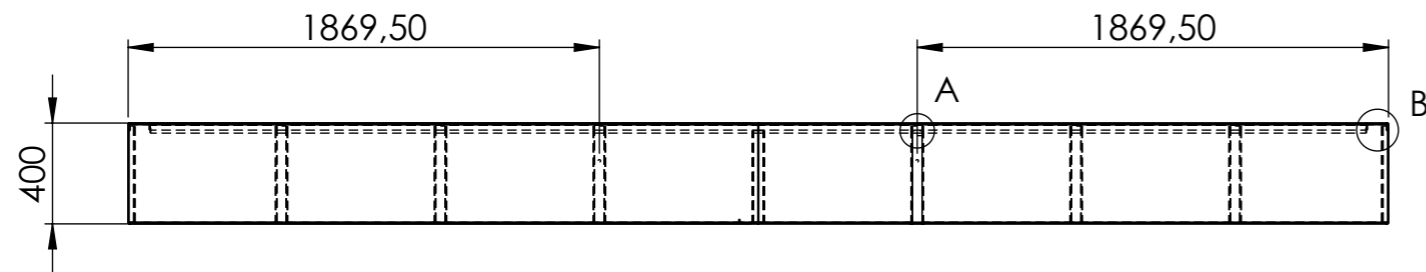
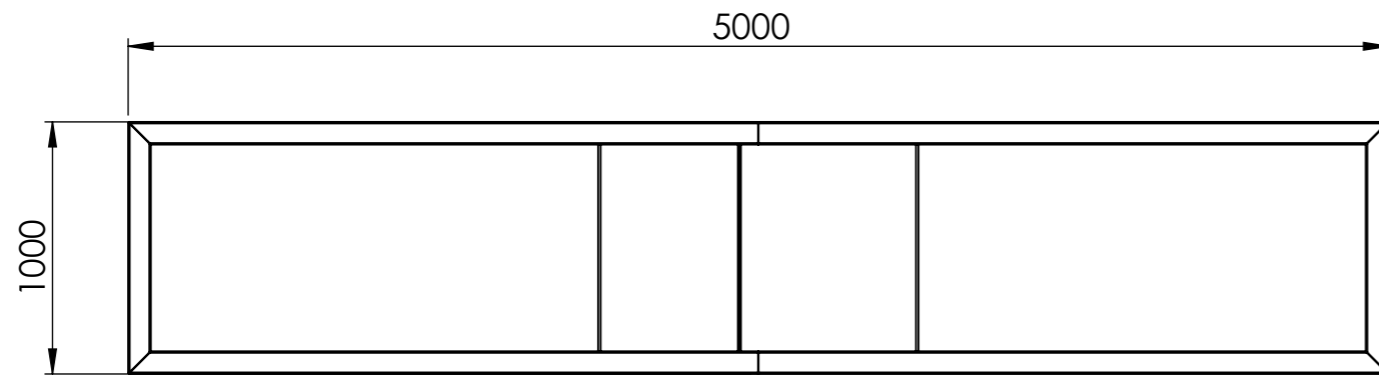
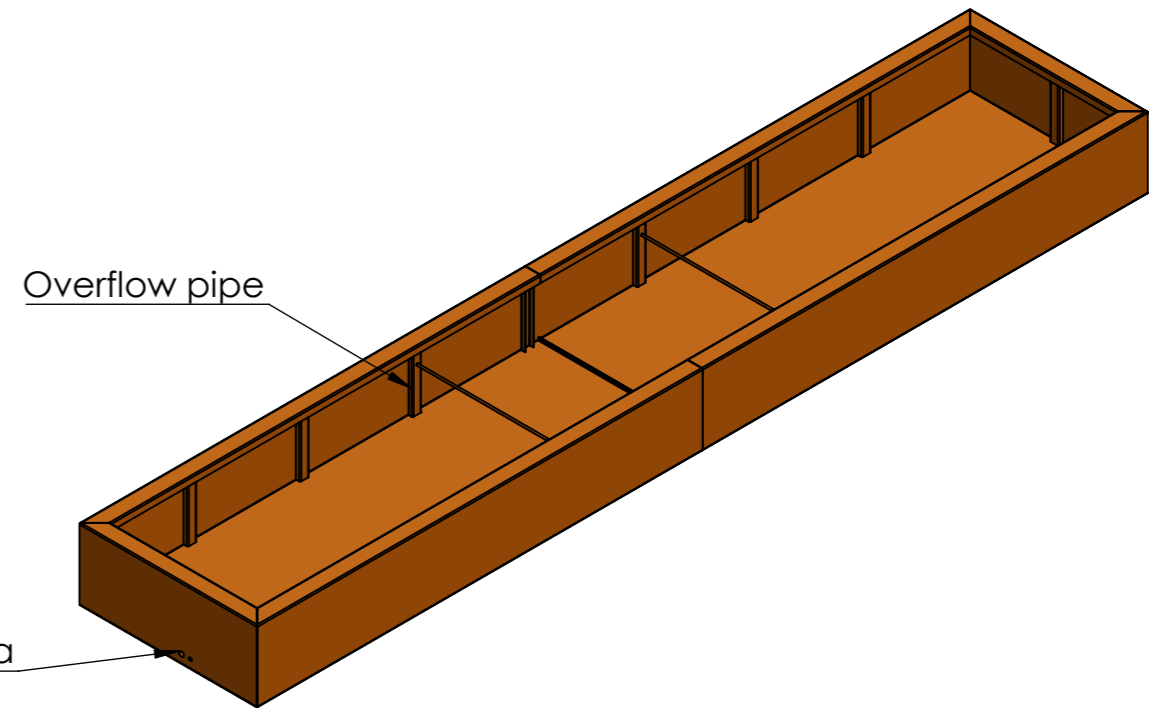
DETAIL A  
SCALE 1 : 5



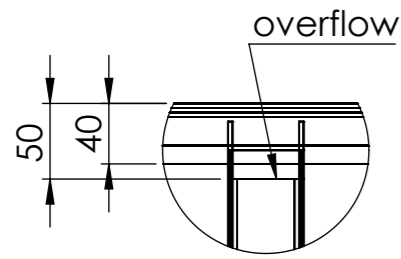
DETAIL B  
SCALE 1 : 5



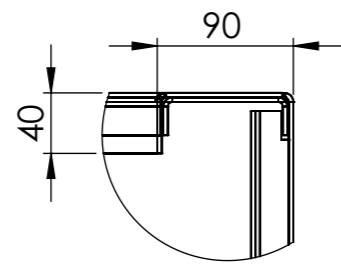
DETAIL C  
SCALE 1 : 5



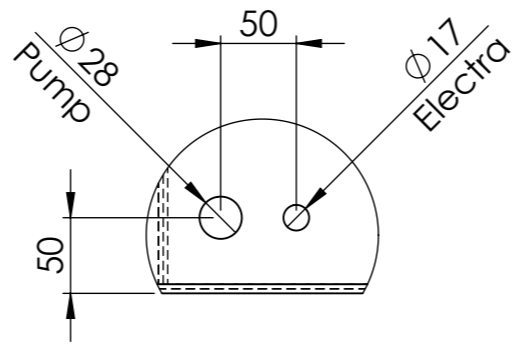
DRAWN	Luuk van den Heuvel	DATE	2-2-2020		TITLE:	3mm Corten	
REVISION	Bas Vlamings	DATE	5-4-2024		Drawing:	VC2.1__	A3
				Liessentstraat 4, 5405 AG Uden (NL). t 0031 (0)413 - 27 41 68. e info@adezz.com, i www.adezz.com			
Color:	-	Mass (kg):	<b>317,23</b>	SCALE:1:30	SHEET 1 OF 17		



DETAIL A  
SCALE 1 : 5



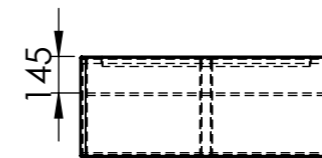
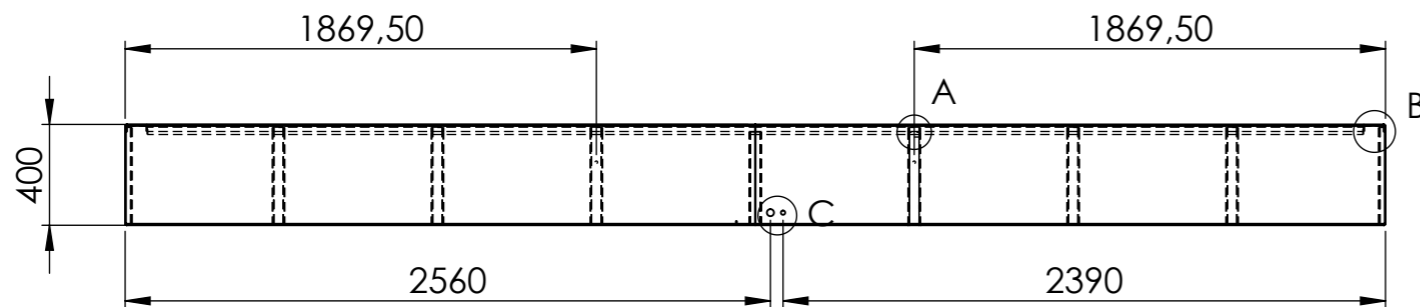
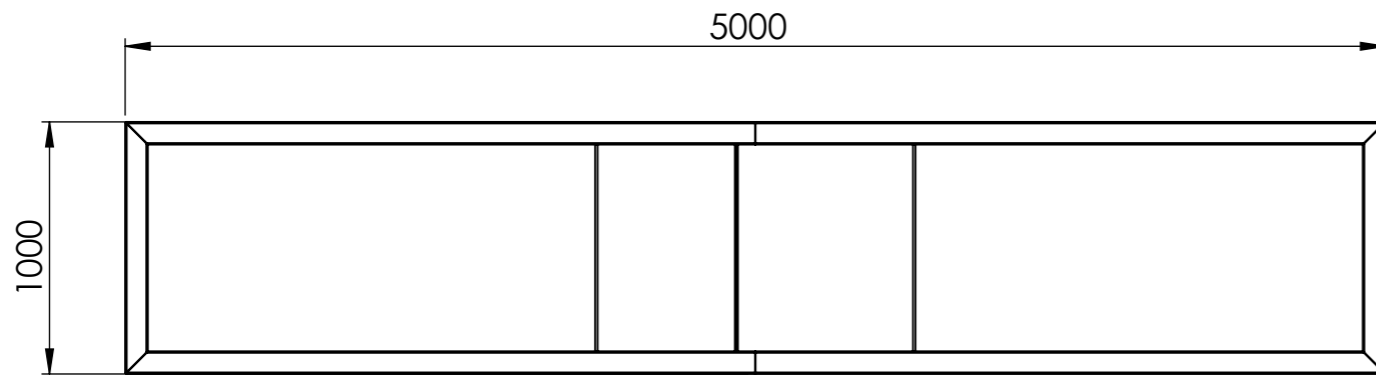
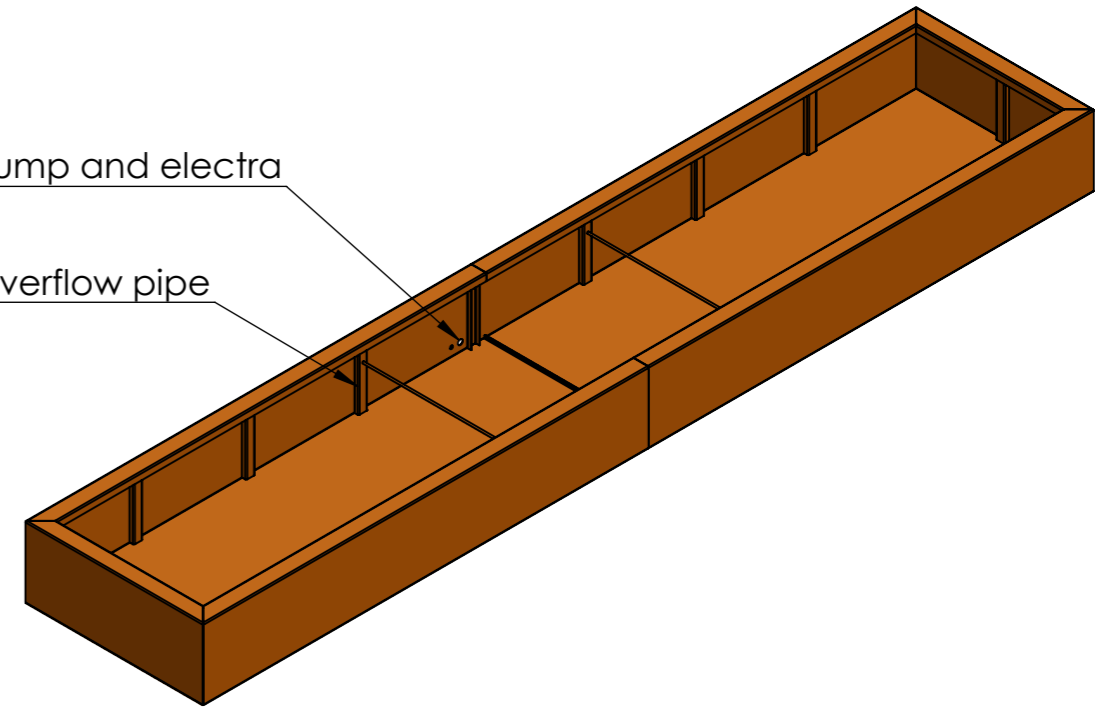
DETAIL B  
SCALE 1 : 5



DETAIL C  
SCALE 1 : 5

Pump and electra

Overflow pipe



		DATE		TITLE:
DRAWN	Luuk van den Heuvel	2-2-2020		
REVISION	Bas Vlamings	5-4-2024		Drawing:
				VC2.1__

**ADEZZ**  
DESIGN TO GROW

Liessentstraat 4, 5405 AG Uden (NL).  
 † 0031 (0)413 - 27 41 68.  
 e info@adezz.com, i www.adezz.com

Color: -

Mass (kg): **317,23**

SCALE:1:30

SHEET 1 OF 17

A3